

Designed to fit into 48.3mm diameter rail sections, the RL348 provides a high performance lighting solution for the illumination of bridge decks, flights of stairs, and pedestrian / cycle routes.

Luminaire Specification.

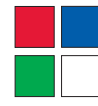
- 6082 T6 single piece aluminium luminaire body, etched & polyester powder coated black.
- IMS thermally managed PCB board c/w 3no. Luxeon Rebel LED's & 18°, 25° or 34° optic packages.
- Brushed aluminium luminaire cover plate.
- 3mm polycarbonate, double UV stabilised, vacuum formed front visor.
- IP66.

Harness Specification.

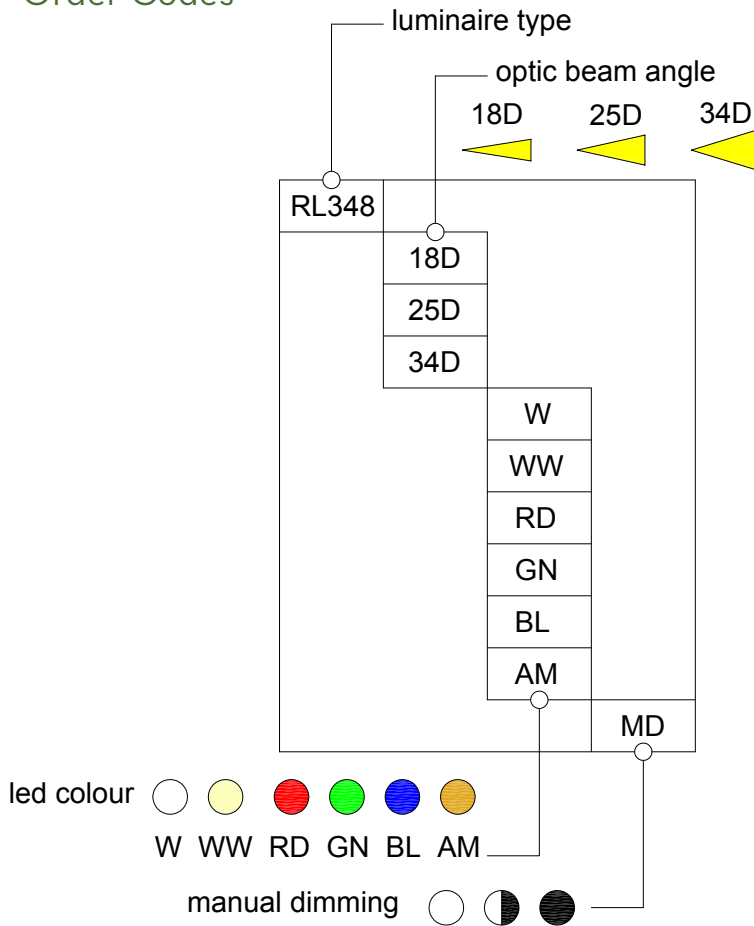
- 24V DC luminaire supply harness with inbuilt LED drivers. Main harness constructed from 2.5mm sq PTFE type C cable.
- Self-compensating luminaire LED drivers encapsulated in silicone based non-hydroscopic compound.
- Complete harness system enclosed within protective polypropylene based spiral wrap or polyamide 6 sinusoidal slit flexible conduit.

Power Supply Specification.

- 24V nominal DC power supply, 10A or 20A, no load and short circuit protected.
- Mounted in IP54 enclosure with suitable inlet and exhaust filters.
- Protected via 6A type C MCB mounted in external enclosure.
- Pre-wired with 2000mm of 3-core 1.5mm sq HO7-RNF cable, fitted with 16A IP67 3 pin inline plug and socket.
- 500,000 MBTF.



Order Codes



Sample order code

RL348.18D.W.MD

Chromatica handrail luminaire to suit 48.3mm diameter rail section, complete with 3 no. white luxeon rebel LED's, 18 degree optic package and manual dimming system.

